



A GLASS ACT

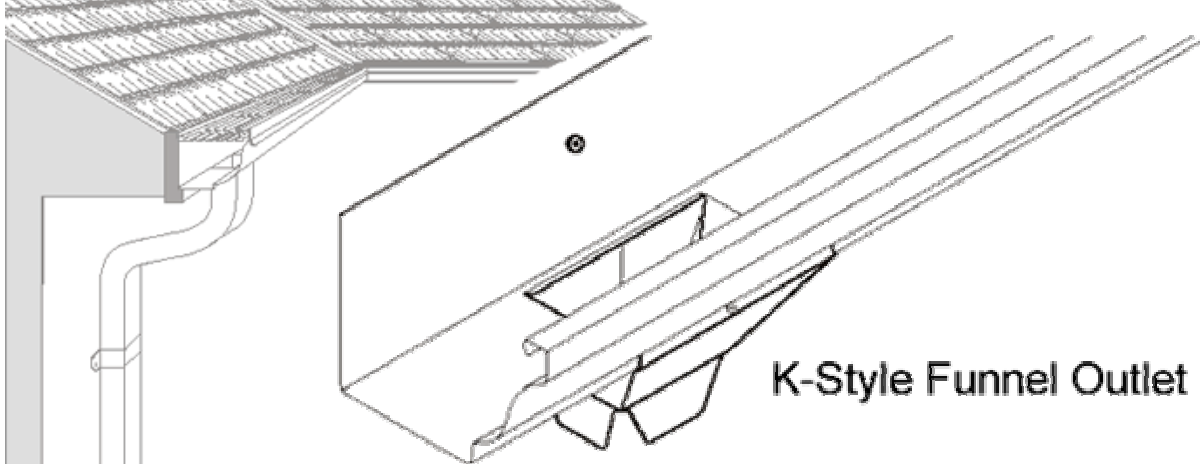
WINDOW CLEANERS AND BUILDING MAINTENANCE LTD.

COMMERCIAL • RESIDENTIAL • STRATA

155-C Riverside Drive, North Vancouver, BC V7H 1T6

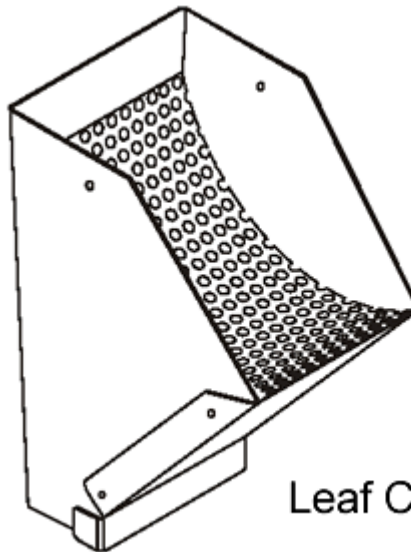
Phone: 604-435-3550 Fax: 604-435-3727 Email: info@aglassact.net Website: www.aglassact.net

PREVENTIVE MAINTENANCE



K-Style Funnel Outlet

The large opening of the K Funnel style outlet allows for continuous flow and will not dam the opening like conventional plastic outlets.



Leaf Catcher

The Leaf Catcher designed to filter out small debris before causing problems in your perimeter drains. The self cleaning design is attractive and easily maintained at ground level.

